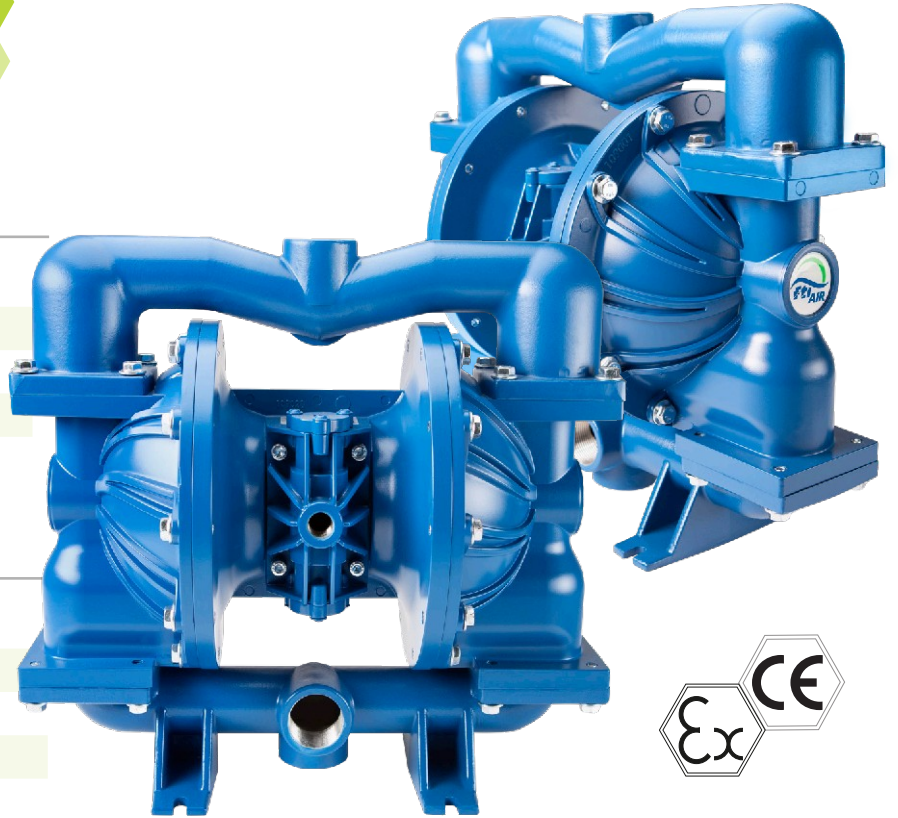




# Model FT15ZA Metallic

## AIR OPERATED DOUBLE DIAPHRAGM PUMPS



### Specifications

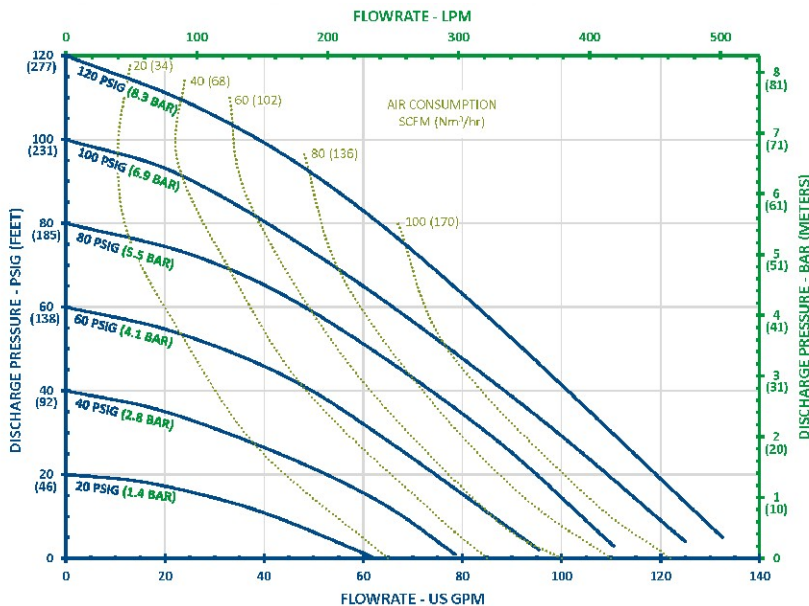
|                               |                       |
|-------------------------------|-----------------------|
| Suction & Discharge Size:     | 1.5" x 1.5"           |
| Porting Location*:            | Center Horizontal     |
| Connection Types:             | FNPT, FBSPT           |
| Air Inlet & Air Exhaust Size: | 1/2" FNPT x 3/4" FNPT |

\*Optional NPT or BSP threaded center port location in vertical position

### Capabilities

|                              |                          |
|------------------------------|--------------------------|
| Maximum Flow Rate:           | 133 gpm (503 lpm)        |
| Maximum Air Supply Pressure: | 120 psi (8.3 bar)        |
| Displacement Per Stroke:     | 0.24 gal (0.91 lit)      |
| Minimum Air Inlet Pressure:  | 10 psig (0.7 bar)        |
| Maximum Particle Size :      | 0.32 in (8.2 mm)         |
| Sound Pressure:              | 77 dB(A)                 |
| Operating temperature:       | Determined by elastomers |

### FT15Z Performance



Note: Full stroke diaphragm allows performance to be equal for all elastomers.

### Typical Applications

- Acids & Bases
- Plating Solutions
- Wastewater
- Paints, Inks, Solvents
- Ceramic Slip and Glaze
- Lubricants and Oils

### Typical Industries

- Mining
- Paints and Coatings
- Ceramics
- Pulp and Paper
- Electroplating & Anodizing
- Wastewater
- Marine
- Chemical Manufacturing & Distribution
- OEM's

# CHANGE IS IN THE AIR

## Construction

|                      |   |
|----------------------|---|
| Wetted Materials:    | Aluminum  |
| Diaphragm Materials: | Neoprene, Santoprene™, FKM, EPDM, PTFE, Buna, Hytrel®, Polyurethane                 |
| Air Valve:           | GFRPP, Aluminum   |
| Ball Materials:      | Neoprene, Buna, EPDM, FKM, Santoprene™, PTFE, 316SS                                 |
| Seat Materials:      | Aluminum, 316SS, PTFE, Hytrel, Buna, Neoprene, EPDM, FKM, Santoprene™, Polyurethane |
| O-ring Materials:    | Neoprene, Buna, EPDM, FKM, PTFE, FEP/FKM, Polyurethane, Santoprene™                 |

Santoprene™ is a registered trademark of Exxon Mobil Corp.  
 Hytrel® is a registered trademark of Dupont™  
 Pat. <http://ftiair.com/resources/ip/>

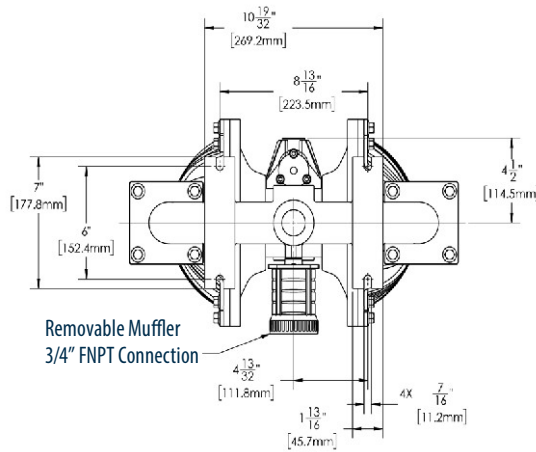
## Dimensions

|                 |                      |
|-----------------|----------------------|
| Maximum Height: | 17-1/2 in (445 mm)   |
| Maximum Width:  | 19-7/16 in (494 mm)  |
| Maximum Depth:  | 11-13/32 in (290 mm) |

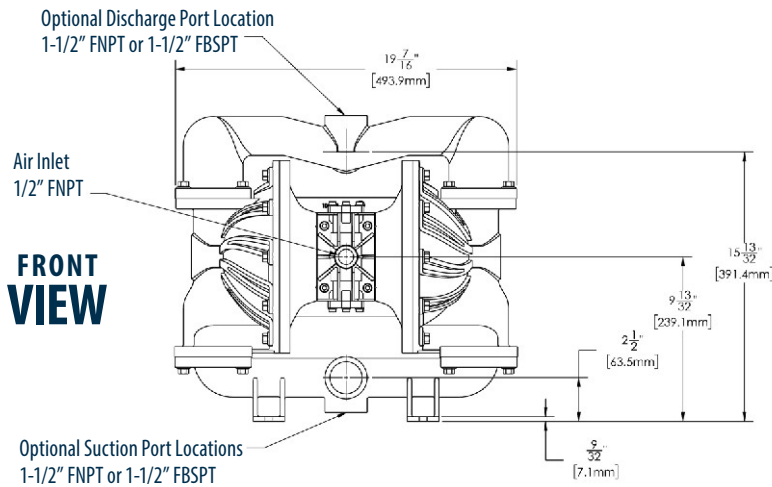
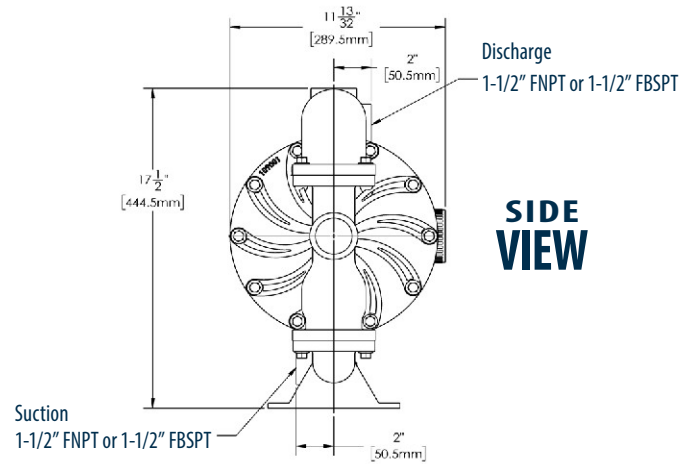
## Weight

|           |                 |
|-----------|-----------------|
| Aluminum: | 52 lb (23.6 kg) |
|-----------|-----------------|

**BOTTOM VIEW**



**SIDE VIEW**



**FTI AIR**

921 GREENGARDEN ROAD ERIE, PA 16501  
 Tel: (800) 934-9384 • Fax: (814) 459-3460  
[www.FTIAIR.com](http://www.FTIAIR.com)

